

6025SE Series

THOMAS
by Gardner Denver

FEATURES

- > Low power consumption
- > High efficiency
- > Quiet operation
- > Very low pulsations
- > Low vibration
- > Fewer moving parts
- > Low starting current
- > AC models Agency approved
- > DC models available with optional 4-20mA controller input
- > RoHS/Reach compliant

Declaration documentation available upon request

TYPICAL APPLICATIONS

- > Air and Gas Samplers
- > Compression Therapy Devices
- > De-Soldering Machines
- > Hospital Beds/Air Mattresses
- > Laser Machines
- > Machine Tools
- > Printing/Paper Handling
- > Vacuum Handling

BASE MODELS

6025SE 115/60/1
6025SE 230/50/60/1
6025SE 12VDC
6025SE 12VDC*
6025SE 24VDC
6025SE 24VDC*

* with optional control input leads



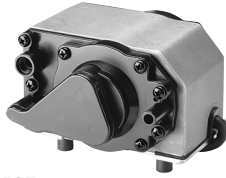
6025SSE



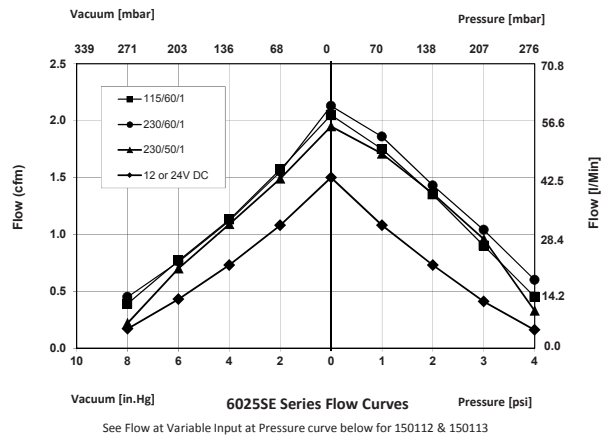
Diaphragm

6025SE Series

Flow	up to 2.13cfm (60.3 l/min)
Maximum pressure	up to 4.0 psi (276 mbar)
Maximum vacuum	up to -270 mbar



6025SE



NOTE: All test values are nominal and for reference only. They are not guaranteed maximum or minimum limits, nor do they imply mean or median.

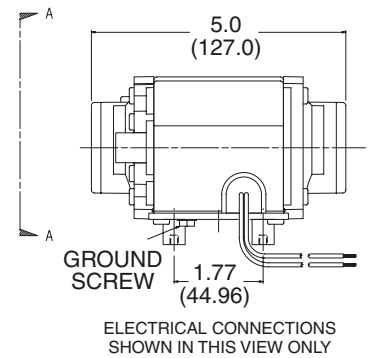
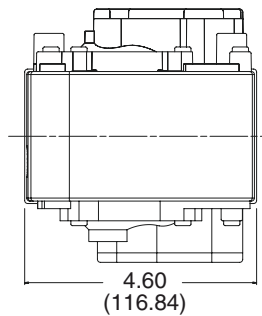
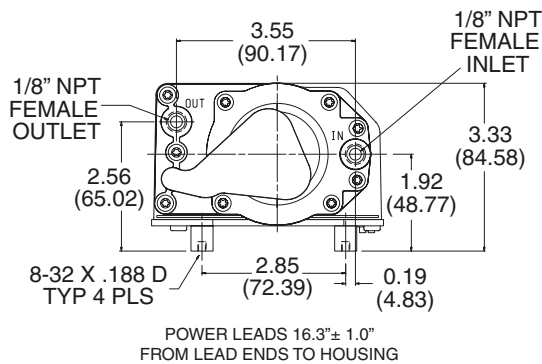
PERFORMANCE DATA	T13-0180	T13-0172		
Model Number	6025SE-AC	6025SE-AC	6025SE-DC	6025SE-DC
Manufacturing Code	150057	150058	150108 150112*	150109 150113*
			*with optional control input leads	
Head Configuration	Pressure/vacuum	Pressure/vacuum	Pressure/vacuum	Pressure/vacuum
Nominal voltage input	115V 60Hz	230V 50/60Hz	12V DC	24V DC
Max. open air flow	2.05 cfm (58 l/min)	1.95/2.13 cfm (55.2/60.3 l/min)	1.50 cfm (42.5 l/min)	1.50 cfm (42.5 l/min)
Max. rated continuous pressure	4.0 psi (276 mbar)	4.0 psi (276 mbar)	4.0 psi (276 mbar)	4.0 psi (276 mbar)
Current at rated pressure	0.32A	0.20/0.15A	1.5A	0.7A
Power at rated pressure	21W	24/22W	18W	18W
Max. rated continuous vacuum	27% local barometer	27% local barometer	27% local barometer	27% local barometer

ELECTRICAL DATA				
Motor type	Linear magnetic	Linear magnetic	Linear Magnetic	Linear Magnetic
Thermal protector	Single trip	Single trip	none	none
Motor insulation class	B	B	B	B

GENERAL DATA				
Operating ambient temperature	32°F to 104°F (0°C to 40°C)	32°F to 104°F (0°C to 40°C)	32°F to 104°F (0°C to 40°C)	32°F to 104°F (0°C to 40°C)
Safety certification	cRUus	cRUus	Consult factory	Consult factory
Net weight	3.3 lbs (1.5 kg)	3.3 lbs (1.5 kg)	3.3 lbs (1.5 kg)	3.3 lbs (1.5 kg)

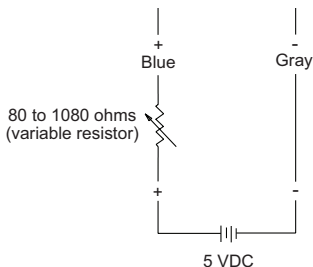
PRODUCT DIMENSIONS

Dimensions shown in inches (mm)



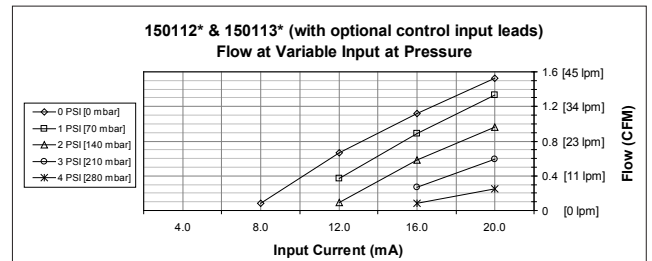
* Optional Control Input Leads Schematic

(Variable resistor & DC power supply not included)



	12VDC	24VDC	115VAC	230VAC
Black	(-)	(-)	X	X
White			X	X
Red	(+)			
Yellow		(+)		
Gray (-) & Blue (+) 4-20 mA control input leads*				

* Optional control input leads on Mfg. Codes 150112 and 150113



PUMP AND COMPRESSOR SOLUTIONS FOR OEMS WORLDWIDE

gd-thomas.com



Gardner Denver Thomas GmbH

Livry-Gargan-Str. 10
82256 Fürstentfeldbruck
Germany
T +49 8141 2280 0
F +49 8141 8892136

thomas.de@gardnerdenver.com

Gardner Denver Thomas Pneumatic Systems (Wuxi) Co. Ltd.

1 New Dong'an Road, Shuofang Town
Xinwu District, Wuxi
Jiangsu, 214142 China
T +86 510 6878 2258
F +86 510 6878 2200

thomas.cn@gardnerdenver.com

THOMAS
by Gardner Denver

Gardner Denver Thomas, Inc.

1419 Illinois Avenue
Sheboygan, WI 53081
USA
T +1 920 4574891
F +1 920 4514276

td.usa@gardnerdenver.com

The information presented in this material is based on technical data and test results of nominal units. It is believed to be accurate and reliable and is offered as an aid to help in the selection of Thomas products. It is the responsibility of the user to determine the suitability of the product for the intended use and the user assumes all risk and liability in connection there with. Thomas does not warrant, guarantee or assume any obligation or liability in connection with this information.

Models presented in this catalog are representative of the product family. Photos of products pictured in this catalog do not necessarily represent a specific model number. To obtain further information for custom options, contact your local Thomas office.

Printed in U.S.A Form No. 850-3375 01/2019 ©Gardner Denver Thomas, Inc. All rights reserved.